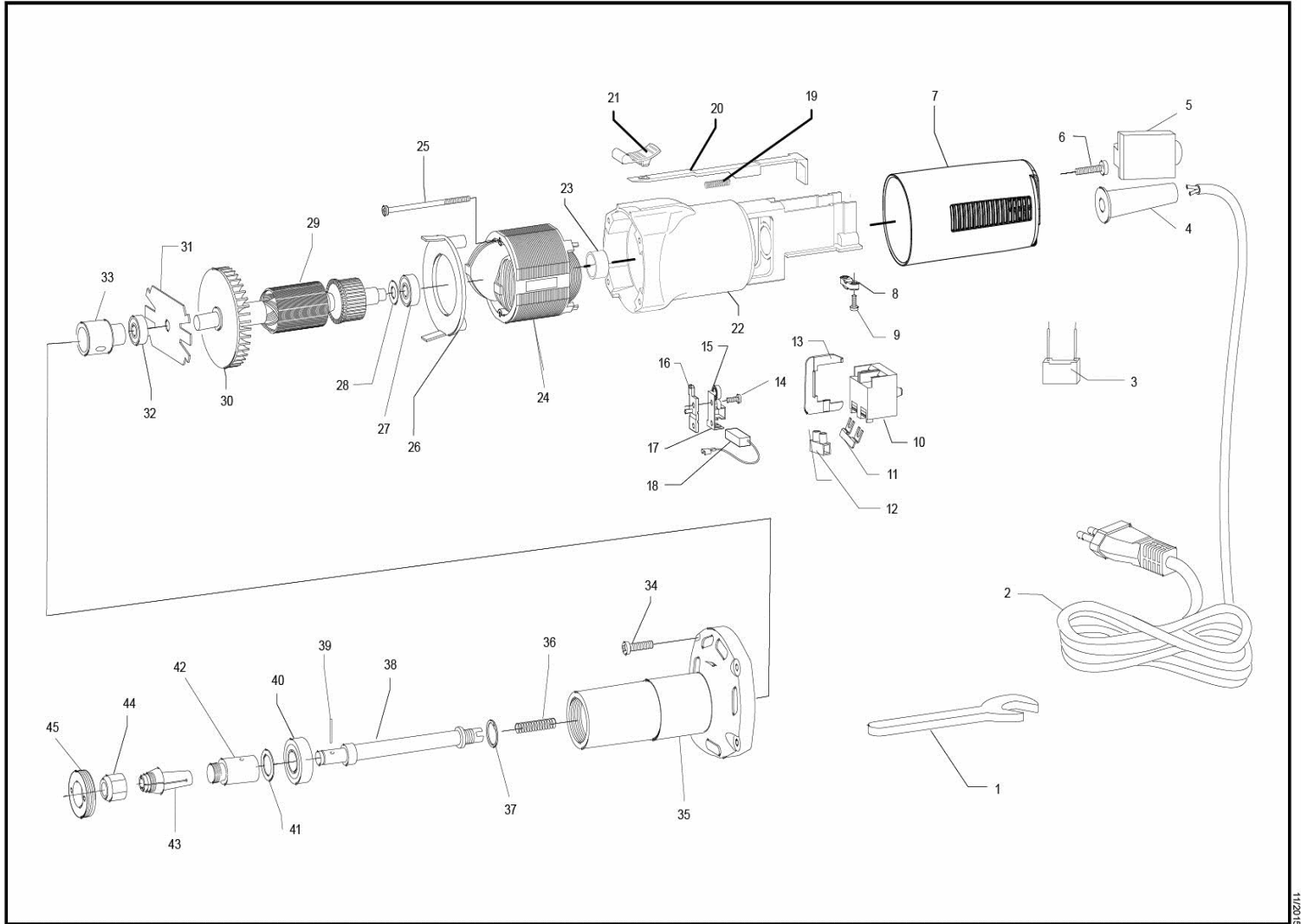


SMERIGLIATRICE DRITTA  
STRAIGHT GRINDER

AR38S - AR38ES - AR38D



ID	ITEM	DESCRIPTION
001	83.030	SPANNER mm11 + mm13
001	83.13	SPANNER mm 17
002	9C2X1,0N485FOR	CAVO 2x1 (spina Schuko d4,8) mt.5 H05RN-F con forchetta
002	9C2X1,0NAU5FOR	CABLE 2X1 (plug Australia) H07RN-F mt.5
002	9C2X1,0R404FOR	CABLE 2X1 (plug D4) H07RN-F mt.4 with fork (only Swiss)
003	9.1535	CONDENSER WITH 2 FASTON
004	42.105	CABLE SLEEVE BA21-BR51
005	400.251	ELECTRONIC MODULE
006	9.660	SCREW 3,9x16 ( 7x5/8") T.C.C.
007	44.247	LHR12E BACK CAP
007	443.247	REAR CAP LOCK
007	44.247/C	CALOTTA POSTERIORE LHR12E con chiusura
008	444.14	CABLE CLAMP NYLON
009	9.660	SCREW 3,9x16 ( 7x5/8") T.C.C.
010	45.210	SWITCH
013	382.247	SWITCH SEPARATOR
014	9.551	SCREW 2,9x13 ( 4x1/2") T.C.C.
015	461.105	SPRING BRUSH HOLDER BA21 BURNISHED
016	462.105	BRUSH HOLDER PLATE
017	46.105	BRUSH HOLDER BA215-LH18ENS
018	47.105/10	BLISTER WITH 10 PC. BRUSHES BA215
019	75.105	SPRING
020	38.247	BEAM SWITCH
021	381.247	RUBBER BUTTON ON/OFF
022	31.247	MOTOR BODY
023	268.105	BEARING CAP
024	2.105/220I	STATOR (V.220)
024	2.105/240I	STATOR (V.240)
024	2.139/240	STATOR (V.240)
025	9.570	SCREW 2,9x60 ( 4x2"3/8)T.C.C.
026	73.105	AIR BULKHEAD
027	9.14/10	BEARING 626ZZ
028	9.318	STEEL WASHER d15 x 6,1 s 0,15
029	1.105/220	ROTOR (V.220)
029	1.105/240	ROTOR (V.240)
029	1.139/220	ROTOR (V.220)
030	15.105	FAN 36 BLADES
031	351.105	MOTOR BODY LITTLE COVER
032	9.41/10	BEARING SKF 609 ZZ-C3
033	511.131	PULLING COMPASS AR37-AR38
034	9.679	SCREW 4,2x25 ( 8x1" ) T.C.C.
035	36.117	DINGHY
036	688.075	THRUST HOLDER SPRING
037	9.519	O-RING 2037 9x13x1,78
038	516.131	SPINDLE SHAFT WITH HOLE
039	9.479	ELASTIC PLUG 3x14 uni 6874-71
040	9.41/10	BEARING SKF 609 ZZ-C3
041	9.299	STEEL WASHER d18 x 9,1 s 0,15
042	515.131	COLLET HOLDER WITH HOLE
043	922.131	COLLET d 3
043	921.131	COLLET d 6
043	923.131	COLLET d 6,35
044	513.131	NUT
045	55.131	NUT